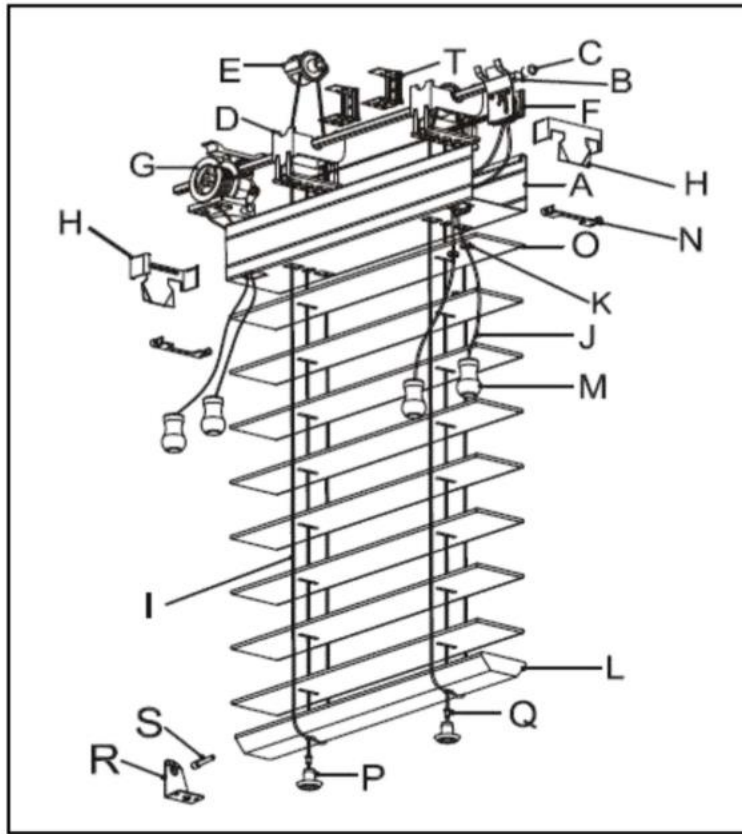


2" FAUX WOOD BLIND – CONTRACT SERIES



- A - 2" X 2" HP HEAD RAIL
- B - 1/4" SQUARE ROD
- C - TILT ROD END STOP
- D - **CBC EXCLUSIVE** TAPE DRUM SUPPORT
- E - **CBC EXCLUSIVE** PLASTIC TAPE DRUM W/ SHOULDER
- F - **CBC EXCLUSIVE** EZ-LIFT CORD LOCK
- G - **CBC EXCLUSIVE** CORD TILTER
- H - EXTENDED END STIFFENER
- I - LADDER
- J - 1.8mm CORD
- K - CORD SAFETY WHEEL
- L - FOAM TRAP BOTTOM RAIL
- M - PLASTIC TASSEL
- N - TOP SLAT CLIP
- O - FOAM SLAT
- P - BOTTOM PLUG
- R - HOLD DOWN BRACKETS (NOT INCLUDED)
- S - HOLD DOWN PINS (NOT INCLUDED)
- T - CENTER SUPPORT BRACKET
- U - **CBC EXCLUSIVE** DLS INSTALLATION BRACKETS

COMPONENTS WITH **CBC EXCLUSIVE** NEXT TO THEM OFFER SUPERIOR PERFORMANCE AND QUALITY OVER COMPETITIVE PRODUCTS. CBC CONTINUES TO INNOVATE AND IMPROVE PRODUCTS SO PRODUCTS ARE MORE DURABLE AND HAVE BETTER PERFORMANCE.

SPECIFICATION

HEAD RAIL

2" X 2" HIGH PROFILE METAL, PAINTED STEEL AT 0.02" THICKNESS

SLATS

PVC FOAMED SLATS AT 2.0" WIDE, MANUFACTURED TO PASS NFPA 701 TESTING

BOTTOM RAIL

SOLID TRAPEZOID PVC FOAMED AT 2" WIDTH AND 5/8" THICK

VALANCE

SOLID PVC FOAMED AT EITHER 3.25" OR 2.5" PROFILE (PLEASE SEE VALANCE OPTION)

SUPPORT BRACKETS

1 X PAIR BRACKETS PLUS 1 X CENTER SUPPORT FOR BLINDS OVER 48" AND 2 X CENTER SUPPORT FOR OVER 72"

SCREWS

4 FOR EACH BRACKET AND 2 FOR EACH CENTER - #8 HEX HEAD 1-1/2" WOOD SCREWS WITH DOUBLE START THREAD

LADDER & CORD

BRAIDED AND NON STRETCH

LADDER SPACING (FIRST ROUTE)

FIRST ROUTE FROM EITHER SIDE TYPICALLY BETWEEN 4.25" TO 5.00"

LADDER SPACING (MIDDLE)

UNDER 12" BETWEEN EACH LADDER TYPICALLY BETWEEN 10" TO 11"

TILT

STD. CORD TILT WITH CORD LENGTH AT APPROX. 55% OF BLIND OVERALL HEIGHT. WHEN WAND TILT, WAND LENGTH AT 30" BUT AVAILABLE W/ 24" AND EVERY 6" UP TO 60"

CORD LIFT

30" WIDE BLINDS AND UNDER WILL HAVE 2 CORDS AND ANYTHING OVER WILL BE 4 CORDS. LIFT CORD STANDARD HEIGHT IS APPROX. 55% OF BLIND OVERALL HEIGHT. CORDS ARE SEPARATED NON LOOPED

SIZE AVAILABLE

WIDTH FROM 10" TO 96" AND HEIGHT TO 156"

WEIGHT CONSIDERATION

WEIGHT OF BLIND IS APPROX. 0.95 LBS PER SQFT. WHEN OVER 30 SQFT, IT IS HIGHLY RECOMMENDED THAT THE BLIND BE SPLIT TO 2 OR 3 BLINDS. WHEN HEIGHT IS OVER 96" AND WIDTH IS OVER 48", IT IS HIGHLY RECOMMENDED THAT THE BLIND BE SPLIT TO 2 OR 3 BLINDS

2" FAUX WOOD BLIND – VALANCE OPTIONS



2V – 2.5" CLASSIC VALANCE

- A standard valance that adds a simple yet sophisticated touch
- The 2.5" profile covers the metal head rail of the blind as well as an additional 0.5" to provide coverage between the metal and the first slat
- Approx. 0.35 LBS per linear feet of valance



3V - 3.25" ROYAL CROWN VALANCE

- Enhances a window to an upgraded level from the classic
- The 3.25" profile is just right to make a statement, and it compliments rooms with equal or larger crown moldings
- A one piece valance can be made up to 143.000"
- Approx. 0.50 LBS per linear feet of valance

***** VALANCE IS AVAILABLE FOR VERTICAL ALSO *****



3F – 3.25" CONTEMPORARY FLAT VALANCE

- A contemporary match to modern or industrial like designs
- At a 3.25" profile it is slightly bigger than a typical 3.00" roller shade fascia yet due to its flat surface it isn't as complicated as a 3V – 3.25" ROYAL CROWN VALANCE.
- An added lip at the bottom of the valance allows for better light coverage between metal and first slat
- Approx. 0.45 LBS per linear feet of valance

***** VALANCE IS AVAILABLE FOR VERTICAL ALSO *****

ADDITIONAL

CBC valances above are available with:

- Hidden valance clips for a clean finish
- Matches color and material of faux wood blinds
- Custom return lengths from 0.75" to 6.00"
- Different finish cuts
 - 45 Degree miter cuts (standard return)
 - Reverse miter cut (corner windows or extra wide valance requirements)
 - Custom miter cut (bay windows)
 - Straight cut (deep window sill inside mount to flush against wall)
- One piece valance are available to cover 2 or 3 blinds

2" FAUX WOOD BLIND – CONTRACT WARRANTY

CBC, Custom Blinds & Components, will warrant its contract products in the following manner:

- Products are covered for defects in materials, workmanship or failure to operate for as long as the retail purchaser owns the product
- Lifetime warranty on internal components
 - Horizontal - cord tilter, wand tilter, cord lock, tape drum, tape drum support
 - Vertical – carriers, wand controls, cord control
- 3 Years warranty on horizontal slats and vertical vanes
- Repairs and/or replacements will be made with like or similar parts or products

The obligation of CBC is limited to repair or replacement of its blinds found to be defective and excludes shipping charges and labor costs for measuring and installations. This warranty does not include any conditions or damages resulting from accidents, alterations, exposure to the elements, misuse, abuse, normal wear & tear, or failure to follow CBC instructions with respect to measuring, installation, cleaning or maintenance. This warranty does not cover any condition or damage resulting from removal of the window blind and reinstallation in the same or another window.

Additional items not covered under warranty are detailed below:

- Normal wear and tear
- Product Failure due to:
 - Abuse
 - Accident
 - Alterations
 - Damage from pets/insects
 - Exposure to salt air
 - Extraordinary use
 - Improper cleaning
 - Improper handling
 - Improper installation
 - Improper operation
 - Misapplication
 - Misuse
- Passage of time:
 - Loss of color intensity
 - Yellowing or cracking of plastic components, foam PVC, or PVC
- Cost associated:
 - Product removal
 - Product measure
 - Product reinstallation
 - Transportation to and from CBC
 - Incidental or consequential damages
 - Shipping
 - Original label removed

THIS WARRANTY IS EXCLUSIVE AND IN LIEU OF ALL OTHER OBLIGATIONS, LIABILITIES OR WARRANTIES. In no event shall CBC be liable or responsible for INCIDENTAL OR CONSEQUENTIAL DAMAGES or for any other direct or indirect damage, loss, cost, expense or fee. To obtain warranty service, contact CBC. Warranty claims must be accompanied by proof of purchase.