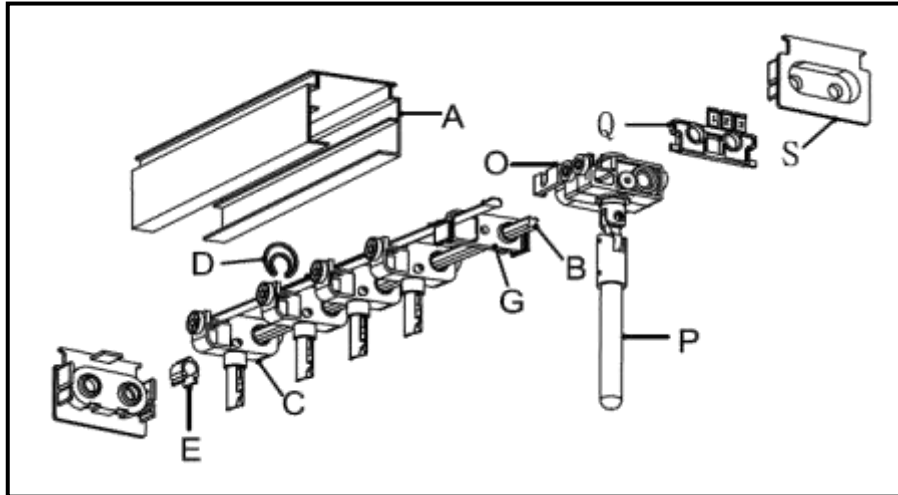


4 PRONG VERTICAL SYSTEM

FEATURES

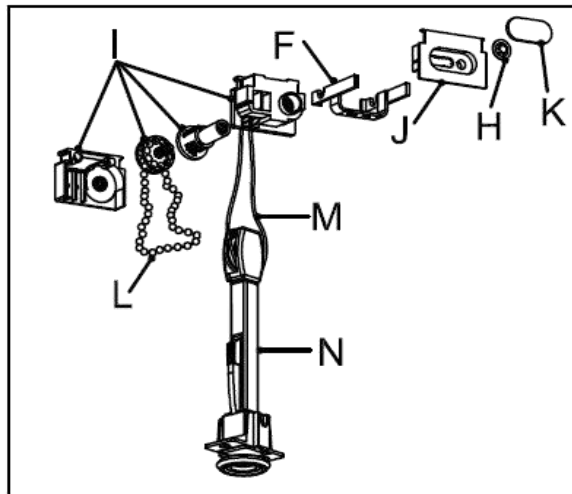
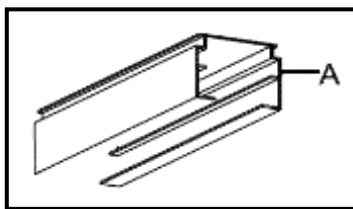
- 4 PRONG SYSTEM
- STRAP LINK
- FIBERGLASS WAND
- SELF ALIGNMENT
- ALUMINUM HEAD RAIL

660 - WAND CONTROL



- A - ALUMINUM TRACK
- B - 4 PRONG PINION
- C - SELF ALIGNMENT CARRIER
- D - METAL C-CLIP
- E - SPACER
- G - ROD SUPPORT
- O - WAND CONTROL
- P - FIBERGLASS WAND
- Q - ROD SUPPORT
- S - IDLE END

662 - CORD & CHAIN CONTROL



- A - ALUMINUM TRACK
- F - MASTER RUNNER
- H - PUSH NUT
- I - DIRECT DRIVE END CONTROL
- J - IDLE END
- K - END COVER
- L - #10 NPS CHAIN
- M - 2.0mm CORD
- N - TENSION PULLEY

SPECIFICATIONS

CHANNEL

IVORY OR WHITE POWDER COATED ALUMINUM ALLOY @ 1 - 3/4" X 1 - 1/4" WITH 0.036" WALL THICKNESS

CONTROL

WAND CONTROL: 30" FIBERGLASS WAND

CORD & CHAIN: 2.0mm NONE STRETCH BRAIDED CORD & #10 NPS CHAIN @ 40" DROP

CARRIERS

ACETAL PLASTIC RESIN, CLEAR POLYCARBONATE STEM, DOUBLE GEAR WORM

